



The BPE Firefighter Switch is a safe DC disconnect solution for solar rooftop installations. The unit is available in either single, two or three string configurations. This IP66 Firefighter Switch is designed to safely disconnect the Solar PV system in the event of a fire or grid failure.

## Main Benefits

- » If the firefighter cuts off the AC power in the home, the switch will disconnect the DC power coming from the panels
- » Over-temperature protection (85°C)
- » IP66 aluminum enclosure
- » Single, two and three string models available
- » Emergency button for rapid disconnect
- » Includes: AC connector, wall fixings and MC4 connectors



- IP66 aluminum enclosure with breathing valve
- UI508i listed and IEC PV2 DC switch
- IP66
- Developed for 25 years' warranty
- Protection cover for rooftop installation is available
- Genuine MC4 Plug and Play

Model	BPE-FFSS-S1	BPE-FFSS-S2	BPE-FFSS-S3
Number of Strings	1 String	2 Strings	3 Strings
Image			
Operating Voltage	90VAC - 260VAC		
Nominal Voltage	230VAC		
Nominal Current	30mA		
Start Up Current	Average 100mA		
Protection Degree	IP66		
Storage Temperature	-40°C to +85°C		
Operating Temperature Range	-20°C to +50°C		
Max. Operating Temperature Before Automatic Shutdown	+85°C		
Protection Level	Class II		
Number of Operations Under Load With Current	300		
Warranty	25 Years		



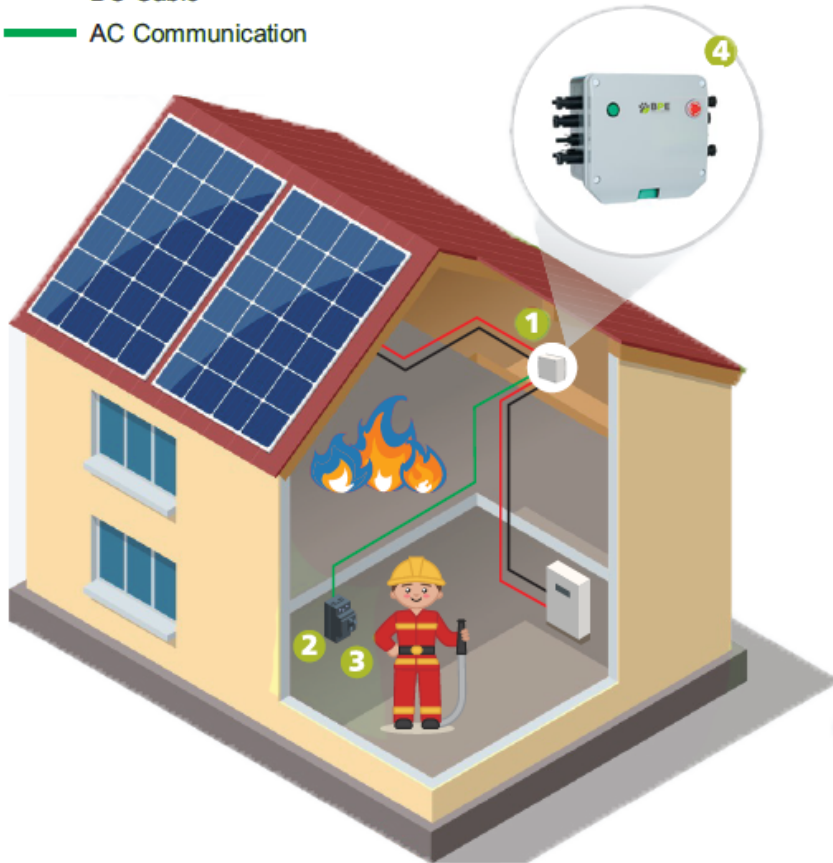
Follow BPE for latest updates!

[hello@badgerpowerelectronics.com](mailto:hello@badgerpowerelectronics.com)



# BPE Firefighter Safety Switch

- DC Cable +
- DC Cable -
- AC Communication



## 1 Over-temperature Protection Automatic Shutdown

When a temperature of over 85°C is detected, the firefighter switch disconnects and isolates the Solar PV.

## 2 Manual AC Power Shutdown

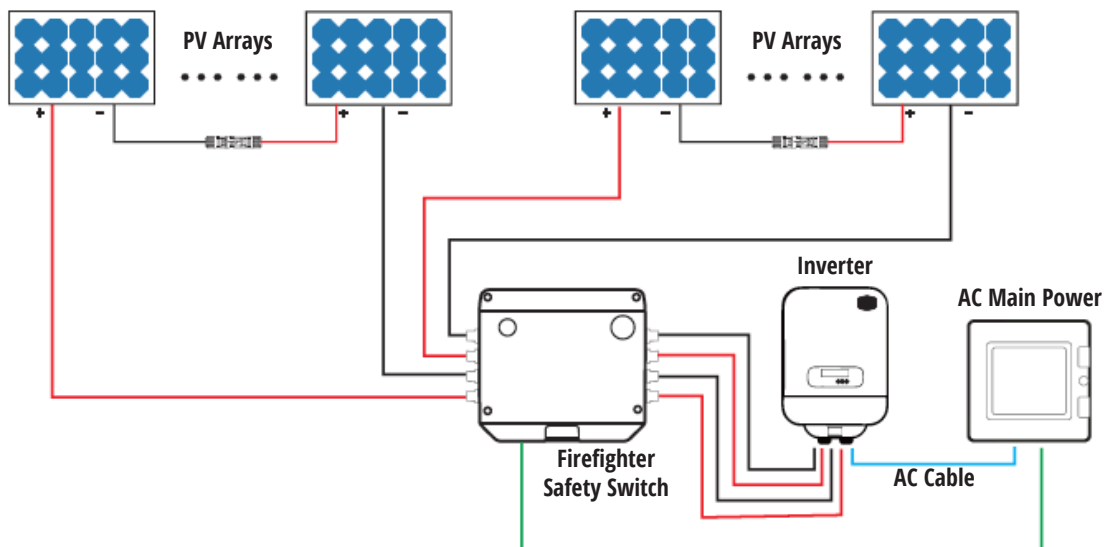
A firefighter can easily isolate the AC mains supply to isolate the Solar PV array. This eliminates the need for having to access the roof to disconnect the Solar PV in the event of an emergency.

## 3 AC Power Loss Triggers Automatic DC Power Disconnection

When there is any AC power loss detected, the safety switch will automatically switch to OFF and isolate the Solar PV system to make it safe for firefighters.

## 4 Manual DC Disconnection

If the Firefighter Safety Switch is installed on the rooftop, a firefighter on the rooftop can easily press the emergency switch on the box. This instantly disconnects the DC power and makes the area safe.



Follow BPE for latest updates!



[hello@badgerpowerelectronics.com](mailto:hello@badgerpowerelectronics.com)