

EVBox Livo

EVBOX

Home charging that's fit for the future

Highly adaptable, seriously durable and charmingly simple, EVBox Livo makes charging as easy as possible.



evbox.com

Technical specifications



Interfaces

| | |
|---------------------------|---|
| Connectors | Type 2 fixed cable (6 m) or socket (shutter optional) |
| User Interface | 4 LED indicator lights, buzzer, light sensor |
| Session activation | RFID (ISO/IEC 14443 Type A) |

Metering & connectivity

| | |
|-----------------------------------|---|
| Metering | Class A accuracy $\pm 2\%$ According to EN 50470-3 |
| Connectivity | Ethernet, Wi-Fi, LTE-M |
| SIM tray | 4FF nano-SIM |
| Communication backend | OCPP 2.0.1 |
| Communication with vehicle | IEC 61851-1, ISO 15118 (hardware ready) |

Environmental properties

| | |
|------------------------------|----------------|
| Operating altitude | up to 3000 m |
| Operating temperature | -30°C to +50°C |
| Storage humidity | 5% to 95% |
| Storage temperature | -40°C to +80°C |
| Enclosure rating | IP55/IK10 |

Electrical output

| | |
|--------------------------|------------------------|
| Output power | Up to 22kW |
| Operating voltage | 1 or 3-phase, 230-400V |
| Operating current | 6-32 A (configurable) |
| Charge mode | Mode 3 (IEC 61851-1) |

Smart charging features

| | |
|-------------------------------|--|
| Dynamic Load Balancing | Supported, requires extra EVBox Dynamic Load Balancing kit |
| Solar Charging | EEBUS compliant |

Physical properties

| | |
|-----------------------------------|--|
| Dimensions, mm (W x H x D) | 250 x 366 x 176 mm |
| Weight (exl. wall bracket) | 3.7 kg (socket) / 5.8 kg (fixed cable, 22kW) |
| Mounting | Flat surface |
| Wire routing | Top or bottom |
| Housing | Low-carbon Polycarbonate Makrolon RE® |

| Overview of charging station variants* | | | |
|--|-----------------|-----------------|-----------------|
| Maximum output power | 7.4 kW | 11 kW | 22 kW |
| Connector type | | | |
| Fixed cable | L13262EUC00-CHX | L31662EUC00-CHX | L33262EUC00-CHX |
| Socket | - | - | L332S2EUC00-CHX |
| Socket with shutter | - | - | L332SSEUC00-CHX |

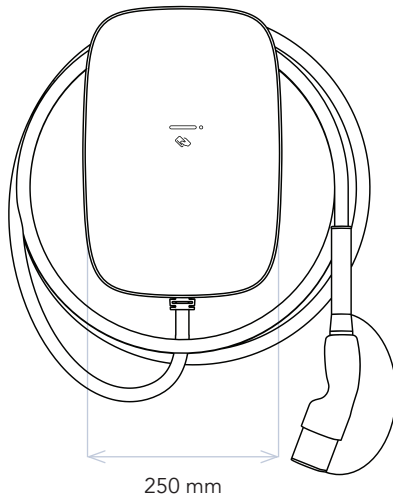
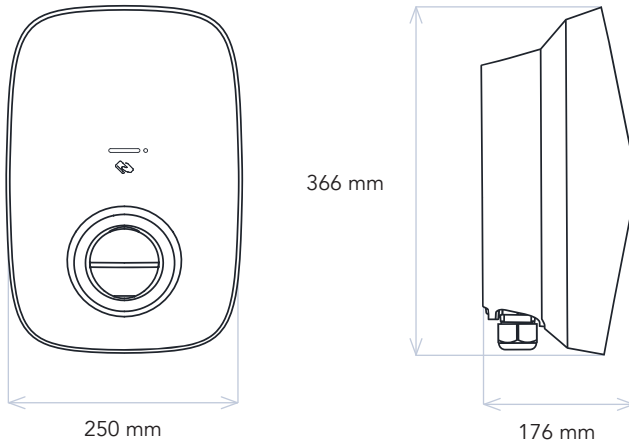
| Cyber security | |
|-----------------------|---|
| Authentication | OCPP 2.0.1 Profile 3 (TLS) |
| Encryption | Dedicated TPM (Trusted Platform Module) private key storage |

| Safety features | |
|---------------------------------|---|
| Electrical safety | 6 mA DC leakage detection (break times & limits compliant to IEC 61851-1:2017 Cl. 8.5, in accordance with IEC 62955:2018 Table 2) Relay weld detection (compliant with EN 60947-4-1) |
| Station surge protection | 4kV |

| Compliance | |
|------------------------------|---|
| Supported protocols | OpenSSL, embedTLS, HTTPS, SFTP/FTPS, SSH |
| Information security | ISO 27001, ISO 27002, OWASP IoT Project, GSMA IoT security |
| Product certification | LVD EU/2014/35, EMC Directive EU/2014/30, RED EU/2014/53, RoHS, IEC/EN 61851-1, IEC/EN 61851-21-2, IEC/EN 62196-1, IEC/EN 62196-2, IEC/EN 62368-1, IEC 61439-7, IEC/EN 60364-4-41, EN 17186, EN 301489-1 EN 301 489-3, EN 301 489-17, EN 301 489-52, EN 300 328, EN 301 893, EN 301 511, EN 301 908-1, EN 300 330, EN 62311, EN 300 440, EG 203 367 |

*Note: X = S for SIM card included, and X = 0 for SIM card excluded.

Dimension specifications



Copyright © 2022 EVBox Manufacturing B.V. EVBox® and the EVBox logo are registered trademarks. All rights reserved. EVBox has compiled this document to the best of its knowledge but does not warrant that all information provided is error-free; EVBox does not accept liability in that respect. All specifications are approximates only. The limited warranty conditions are stated in the applicable EVBox general terms and conditions. EVBPI_LV_EN_052022 © EVBox Manufacturing B.V.

EVBox Manufacturing B.V.
Kabelweg 47
1014 BA Amsterdam
The Netherlands
[evbox.com/support](https://www.evbox.com/support)

[evbox.com](https://www.evbox.com)